

TWO-YEAR WARRANTY

Azden Corporation warrants, to the first purchaser, that the Azden brand product purchased is free from defects in material and workmanship. Azden's sole obligation under this warranty shall be to provide, without charge, repair or replacement (at Azden's option), within two years from the date of purchase. A dated receipt acts to establish the date of purchase.

This warranty is the sole and exclusive express warranty given with respect to the product and all other express warranties are hereby excluded. Neither AZDEN, nor the dealer who sells this product, is responsible for indirect, incidental or consequential damages. Some states do not allow the exclusion or limitation of incidental or consequential damages, so the above limitation may not apply to you.

This warranty does not extend to any defect, malfunction or failure caused by misuse, abuse, accident, faulty hookup, unauthorized modification or defective associated equipment for which it is not intended. **Please read your owner's manual carefully.**

This warranty gives you specific legal rights. You may also have other rights which vary from state to state.

To register this product, go to www.azdencorp.com/warranty for North/South America and EU customers.

Asia/Oceania customers contact with Azden distributors listed on www.azden.co.jp/global.html



SGM-DSLRL

INSTRUCTIONS



PROFESSIONAL SHOTGUN MICROPHONE FOR DSLR

Customers in the Asian and Oceania markets contact:
Azden Corp., 1-12-17 Kamirenjaku Mitaka-shi, Tokyo, 181-8533 Japan
voice - 81-1-422-55-5115(Japan) • fax - 81-1-422-55-0131(Japan)
email - sales@azden.co.jp

Customers in the North/South America and European markets contact:
Azden Corp., 147 New Hyde Park Rd, P.O. Box 10, Franklin Square, NY 11010
voice - 516.328.7500 • fax - 516.328.7506 • email - azdenus@azdencorp.com

Thank you for purchasing the Azden SGM-DSLR microphone. Designed for Video and Audio Professionals with DSLR camera, the SGM-DSLR is a directional super-cardioid shotgun microphone with a wide frequency response and low noise levels.

BATTERY:

The SGM-DSLR is powered by 1 "LR-44" battery (not incl.). Unscrew the lower half of the barrel case by turning it counter-clockwise. Install 1 fresh "LR-44" Alkaline battery, making sure to check polarity, and close the case by turning it clockwise. DO NOT OVER-TIGHTEN or you may strip the threads.

SHOE-MOUNT HOLDER:

The SGM-DSLR is supplied with a shoe-mount holder. Snap the rear portion of the microphone into the holder. To secure the holder to a camera shoe, slide the holder into the camera shoe and tighten the thumbwheel by turning it clockwise.

POWER SWITCH:

The SGM-DSLR has a 2-position power switch near the output jack.

OFF: Switch the microphone to OFF when not in use to conserve battery life.

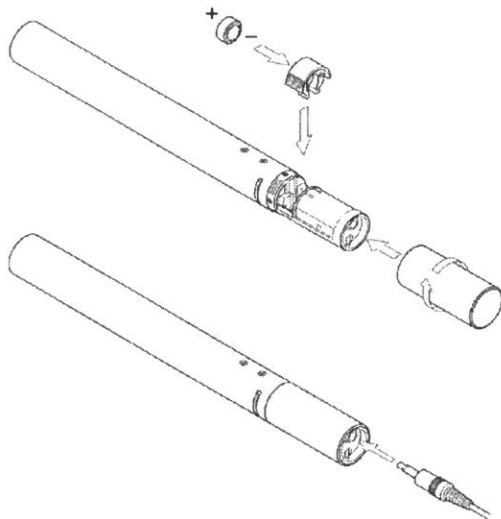
ON: Switch the microphone to ON for normal operation.

MIC OUTPUT:

The SGM-DSLR has a 3.5mm mini-jack output and will work in any low impedance microphone input of 1K ohm or less.

USE:

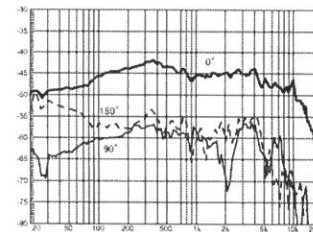
To use, connect one end of the supplied 3.5mm mini-plug cable to the microphone's output jack and the other end to the "mic" input on your video camera. Position the switch to "ON".



SPECIFICATIONS:

FREQUENCY RESPONSE	80-18,000Hz
SENSITIVITY	SUPER CARDIOID -33dB re 1V/Pa
IMPEDANCE	1.5k Ohms @ 1kHz
MAX. SPL INPUT LEVEL	103dB
SIGNAL TO NOISE RATIO	65dB
DYNAMIC RANGE	78dB
BATTERY TYPE	LR-44 - USE ALKALINE BATTERY
BATTERY CURRENT	0.5 mA
BATTERY LIFE	150 HOURS w/ALKALINE BATTERY
WEIGHT w/ BATTERY	3.75oz (106grams)
DIMENSIONS	8.34" (212mm) length 0.83" (21mm) diameter
OUTPUT TYPE	3.5mm mini-jack
SUPPLIED ACCESSORIES	Shoe-Mount Microphone Holder 1 Windscreen 1 Output Cable (3.5mm mini-plug - 3.5mm mini-plug)

Frequency Response



Super-Cardioid Polar Pattern

