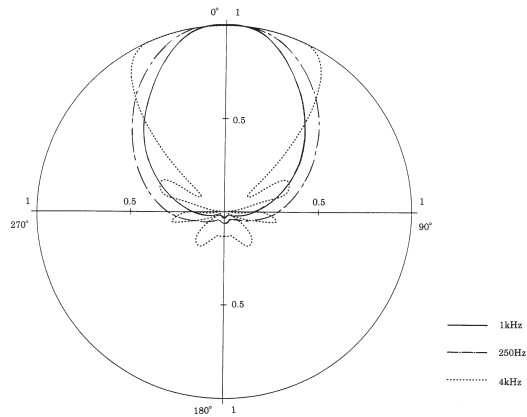




Super-Cardioid Polar Pattern



SGM-X INSTRUCTIONS



Azden Corporation
P.O. Box 10
147 New Hyde Park Road
Franklin Square, NY 11010
vox 516.328.7500 • fax 516.328.7506
AzdenUS@azdencorp.com • www.azdencorp.com

PROFESSIONAL SHOTGUN MICROPHONE

Thank you for purchasing the Azden SGM-X microphone. Designed for Video and Audio Professionals, the SGM-X is a directional super-cardioid shotgun microphone with a wide frequency response and low noise levels.

BATTERY:

The SGM-X is powered by 1 "LR-44" battery (included). Unscrew the lower half of the barrel case by turning it counter-clockwise. Install 1 fresh "LR-44" Alkaline battery, making sure to check polarity, and close the case by turning it clockwise. DO NOT OVER-TIGHTEN or you may strip the threads.

SHOE-MOUNT HOLDER:

The SGM-X is supplied with a shoe-mount holder. Snap the rear portion of the microphone into the holder. To secure the holder to a camera shoe, slide the holder into the camera shoe and tighten the thumbwheel by turning it clockwise.

POWER SWITCH:

The SGM-X has a 2-position power switch near the output jack.

OFF: Switch the microphone to OFF when not in use to conserve battery life.

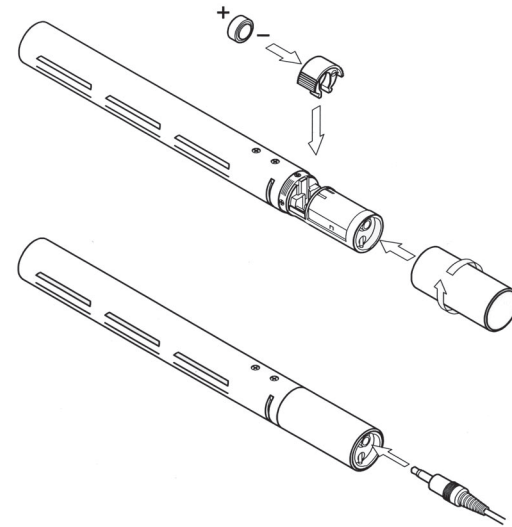
ON: Switch the microphone to ON for normal operation.

MIC OUTPUT:

The SGM-X has a 3.5mm mini-jack output and will work in any low impedance microphone input of 1K ohm or less.

USE:

To use, connect one end of the supplied 3.5mm mini-plug cable to the microphone's output jack and the other end to the "mic" input on your video camera. Position the switch to "ON".



SPECIFICA

FREQUENCY RESPONSE	80-18,000Hz
SENSITIVITY	SUPER CARDIOID -33dB re 1V/Pa
IMPEDANCE	1.5k Ohms @ 1KHz
MAX. SPL INPUT LEVEL	103dB
SIGNAL TO NOISE RATIO	65dB
DYNAMIC RANGE	78dB
BATTERY TYPE	LR-44 - USE ALKALINE BATTERY
BATTERY CURRENT	0.5 mA
BATTERY LIFE	150 HOURS w/ALKALINE BATTERY
WEIGHT w/ BATTERY	3.75oz (106grams)
DIMENSIONS	8.34" (212mm) length 0.83" (21mm) diameter
OUTPUT TYPE	3.5mm mini-jack
SUPPLIED ACCESSORIES	Shoe-Mount Microphone Holder 1 Windscreen 1 Output Cable (3.5mm mini-plug - 3.5mm mini-plug) 1 LR-44 Battery